

IASO®

Better Outside

TECHNICAL DATA SHEET

ENGLISH

AWNING

NON-CASSETTE

AUREA BLOC



INDEX	02	DESCRIPTION
	02	TECHNICAL CHARACTERISTICS
	02	DIMENSIONS
	02	MAIN MATERIALS
	02	INSTALLATION OPTIONS
	03	SUPPORT DIMENSIONS
	04	PROJECTION DIAGRAM
	04	EXPLODED VIEW
	05	PRODUCT CLASSIFICATION
	05	KNOWLEDGE SOURCES
	05	PRECIPITATION CLASSIFICATION
	05	WIND CLASSIFICATION
	06	MOTOR COMPATIBILITY
	06	MOTOR-TUBE COMPATIBILITY (Ø)
	06	MOTORISATION
	07	ACRYLIC/PLASTIC FABRIC CONFIGURATION
	08	EMITTERS
	10	OPTIONS AND ACCESSORIES

DESCRIPTION

A compact, practical, and robust awning, manufactured with a monobloc support bar system, capable of covering areas of up to 45 m² without bulky fixing structures. Thanks to this system, the awning easily overcomes installation challenges that may arise, particularly in high or windy areas.

TECHNICAL CHARACTERISTICS

- Retractable arm awning
- Chain-operated invisible arms
- Manual operation via 9:1 gear and crank handle
- Front or ceiling installation
- Monobloc system

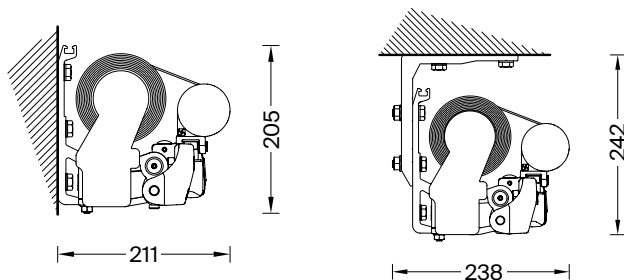
DIMENSIONS

WIDTH	min. 2,50m - max. 11,00m
PROJECTION	min. 1,60m - max. 4,10m

MAIN MATERIALS

- Extruded aluminium profiles
- Cast aluminium brackets
- Stainless steel screws
- Acrylic fabric 300 g/m² or 360 g/m² (others on request)
- Stainless steel arm chains

INSTALLATION OPTIONS



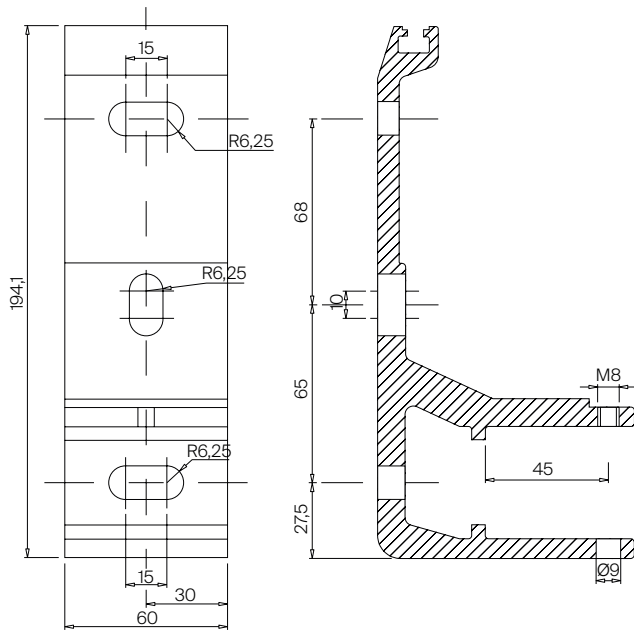
Wall installation 0° - 90°

Ceiling installation 0° - 90°

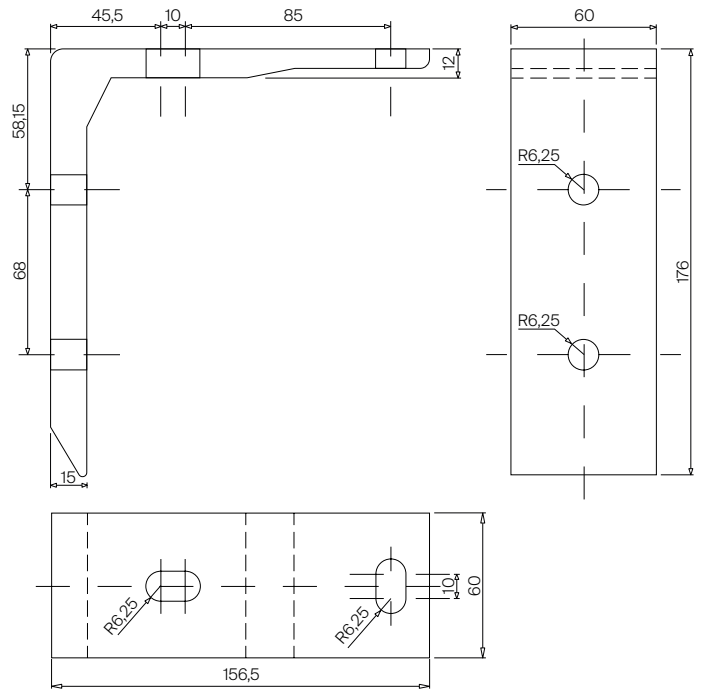
LIGHTING

ARMS	CASSETTE	SIDE LIDS
Yes	No	No

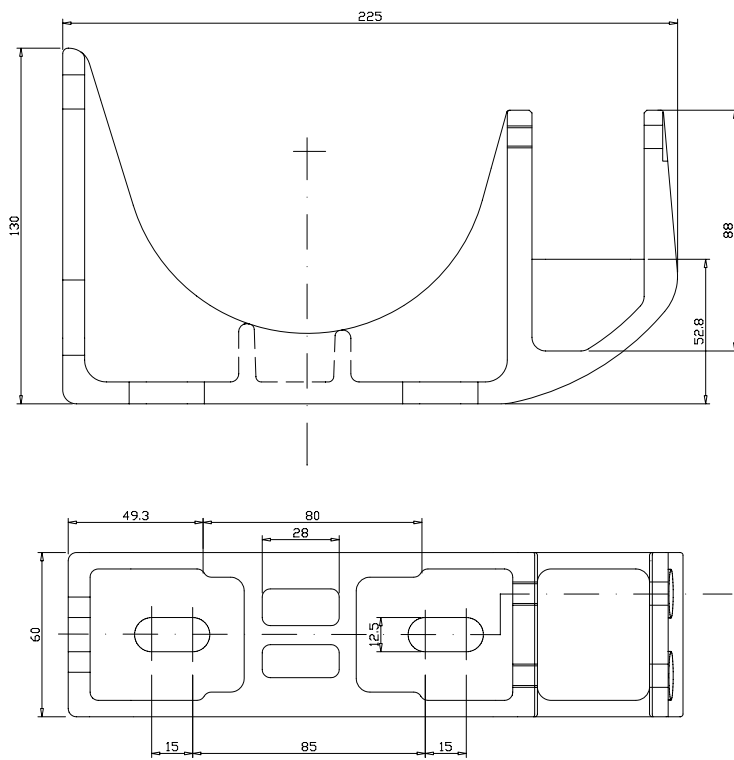
SUPPORT DIMENSIONS



Wall support



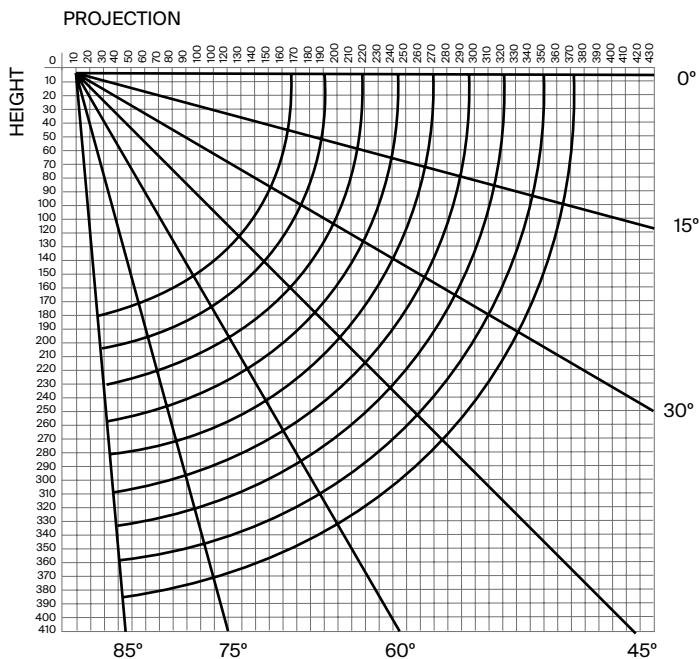
Ceiling support



Wall / ceiling support

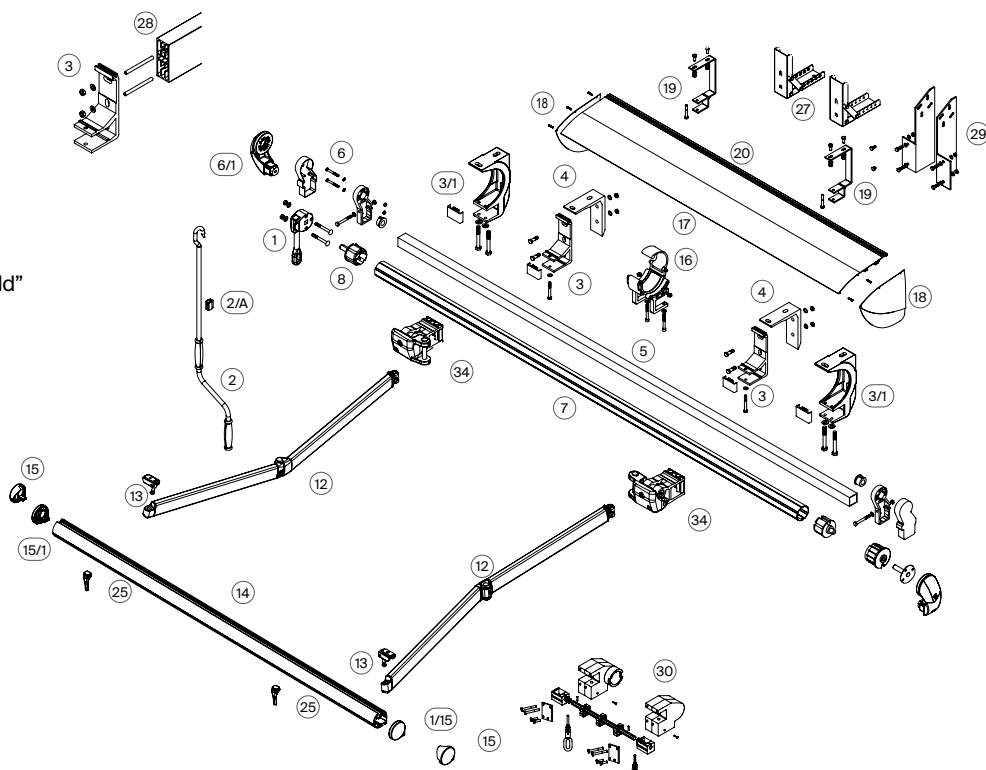
PROJECTION DIAGRAM

Wall / ceiling installation

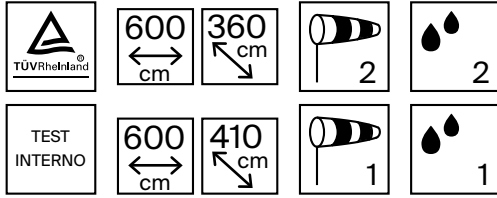


EXPLODED VIEW

- 1 Reducer mechanism
- 2 Crank handle
- 2-A Crank handle support
- 3 Square bar support
- 3/1 Square bar for wall / ceiling support
- 4 Extruded aluminium ceiling support
- 5 Square bar 40mm
- 6 Roller tube support kit with end caps
- 6/1 Roller tube support kit with end caps "Gold"
- 7 Roll bar
- 8 Bushing with square axle 13 x 35mm
- 9 Bushing with round axle Ø14x18mm
- 12 Arms with cable "Spin"
- 13 Sliders for arms "Spin"
- 14 Front bar
- 15 End caps for terminal
- 15/1 Aluminium end caps for terminal
- 16 Compensation support with tape
- 17 Awning cover
- 18 End caps for awning cover
- 19 Support for awning cover
- 20 Rubber
- 25 Arm-retraction sliders
- 27 Over-roof bracket 305mm
- 28 Installation spacer
- 29 Under-ceiling support
- 30 Adjustable arm support kit "Variosun"
- 34 Arm supports for square bar with adjuster



PRODUCT CLASSIFICATION



KNOWLEDGE SOURCES

The following data are available for the study:

- Geometry and materials of all components that make up the parasol.
- Applicable specific standards:

UNE EN 1999-1-1 – Eurocode 9: Design of aluminium structures

UNE EN 13561: External blinds and awnings. Performance requirements including safety

WIND CLASSIFICATION



CLASS	Grade Beaufort	Wind speed		Pressure	Situation environnementale
1	0	0 - 1 km/h	0.0 - 0.3 m/s	0.05 N/m ²	Calm
	1	1 - 5 km/h	0.3 - 1.4 m/s	1.21 N/m ²	Very light breeze
	2	6 - 11 km/h	1.7 - 3.1 m/s	5.84 N/m ²	Light breeze
	3	12 - 19 km/h	3.4 - 5.3 m/s	17.41 N/m²	Gentle breeze
2	4	20 - 28 km/h	5.6 - 7.8 m/s	37.81 N/m²	Moderate wind
3	5	29 - 38 km/h	8.1 - 10.6 m/s	69.64 N/m ²	Fresh wind

PRECIPITATION CLASSIFICATION



CLASS	Average intensity in one hour (mm/h)	Situation environnementale
1	≤ 2	Weak
2	> 2 y ≤ 15	Moderate

WIND CLASSIFICATION

CLASS	WIDTH (m)							
PROJECTION (m)	2,50	3,00	3,50	4,00	4,50	5,00	5,50	6,00
1,60	1	1	1	1	1	1	1	1
1,85	1	1	1	1	1	1	1	1
2,10		1	1	1	1	1	1	1
2,35		1	1	1	1	1	1	1
2,60			1	1	1	1	1	1
2,85			1	1	1	1	1	1
3,10				1	1	1	1	1
3,35				1	1	1	1	1
3,60					1	1	1	1
3,85					1	1	1	1
4,10					-	-	-	-

MOTOR COMPATIBILITY

COMPATIBLE MOTOR	
Somfy Sunilus io	Simu ST Star

MOTOR-TUBE COMPATIBILITY (Ø)

MOTOR TORQUE (Nm)	MOTOR (mm)	TUBE (mm)
≤50	Ø50	Ø70 y Ø80
>50	Ø60	Ø80

MOTORISATION (Nm)

Motor Torque (Nm)	WIDTH (m)							
PROJECTION (m)	2,50	3,00	3,50	4,00	4,50	5,00	5,50	6,00
1,60	30	30	30	30	30	30	50	50
1,85	30	30	30	30	30	30	50	50
2,10		30	30	30	30	30	50	50
2,35		35	35	35	35	35	35	35
2,60			35	35	35	35	35	35
2,85			40	40	40	40	40	40
3,10				40	40	40	50	50
3,35				40	40	40	50	50
3,60					40	40	50	50
4,10						50	85	85

ACRYLIC OR PLASTIC FABRIC CONFIGURATION

PROJECTION (m)	WIDTH (m)							
	2,50	3,00	3,50	4,00	4,50	5,00	5,50	6,00
1,60	2/2/80/ BAMBU	2/2/80/ BAMBU	2/2/80/ BAMBU	2/2/80/ BAMBU	2/3/80/ BAMBU	2/3/80/ BAMBU	2/4/80/ BAMBU/1	2/4/80/ BAMBU/1
1,85	2/2/80/ BAMBU	2/2/80/ BAMBU	2/2/80/ BAMBU	2/2/80/ BAMBU	2/3/80/ BAMBU	2/3/80/ BAMBU	2/4/80/ BAMBU/1	2/4/80/ BAMBU/1
2,10		2/2/80/ BAMBU	2/2/80/ BAMBU	2/2/80/ BAMBU	2/3/80/ BAMBU	2/3/80/ BAMBU	2/4/80/ BAMBU/1	2/4/80/ BAMBU/1
2,35		2/2/80/ BAMBU	2/2/80/ BAMBU	2/2/80/ BAMBU	2/3/80/ BAMBU	2/3/80/ BAMBU	2/4/80/ BAMBU/1	2/4/80/ BAMBU/1
2,60			2/2/80/ BAMBU	2/2/80/ BAMBU	2/3/80/ BAMBU	2/3/80/ BAMBU	2/4/80/ BAMBU/1	2/4/80/ BAMBU/1
2,85			2/2/80/ BAMBU	2/2/80/ BAMBU	2/3/80/ BAMBU	2/3/80/ BAMBU	2/4/80/ BAMBU/1	2/4/80/ BAMBU/1
3,10				2/2/80/ BAMBU	2/3/80/ BAMBU	2/3/80/ BAMBU	2/4/80/ BAMBU/1	2/4/80/ BAMBU/1
3,35				2/2/80/ BAMBU	2/3/80/ BAMBU	2/3/80/ BAMBU	2/4/80/ BAMBU/1	2/4/80/ BAMBU/1
3,60					2/3/80/ BAMBU	2/3/80/ BAMBU	2/4/80/ BAMBU/1	2/4/80/ BAMBU/1
4,10						2/3/80/ BAMBU	2/4/80/ BAMBU/1	2/4/80/ BAMBU/1

* Arms / Supports / Ø Roller Tube / Front Bar / Compensator bracket

EMITTERS

SOMFY SITUO 1	
Frequency	IO 868 MHz
Gutters	1
Alimentation	CR2032 3V
Operating range	50 m (20 m interior)
Protection rating	IP30
Dimensions	139 x 42 x 16 mm

SOMFY SITUO 5	
Frequency	IO 868 MHz
Gutters	5
Alimentation	CR2430 3V
Operating range	50 m (20 m interior)
Protection rating	IP30
Dimensions	139 x 42 x 16 mm

SIMU MOBILE 1C	
Frequency	433,42 MHz
Gutters	1
Alimentation	CR2430 3V
Operating range	50 m (20 m interior)
Protection rating	IP30
Dimensions	125 x 40 x 15 mm

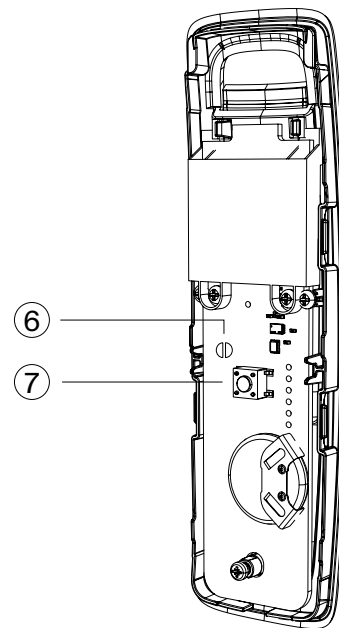
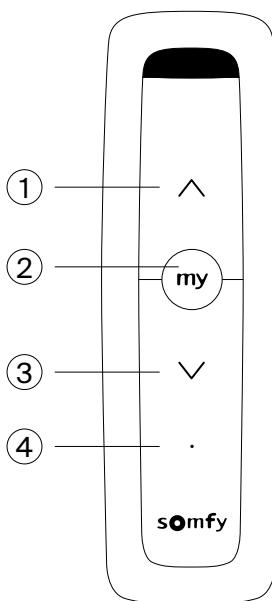
SIMU MOBILE 5C	
Frequency	433,42 MHz
Gutters	5
Alimentation	CR2430 3V
Operating range	50 m (20 m interior)
Protection rating	IP30
Dimensions	125 x 40 x 15 mm
Screen	Oui

* Somfy transmitters are exclusively compatible with Somfy motors, while Simu transmitters are exclusively compatible with Simu motors.

EMITTERS

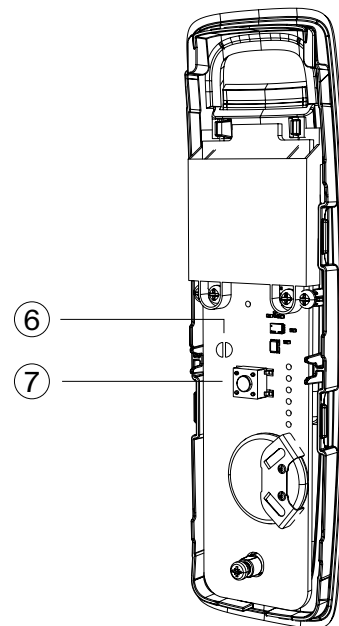
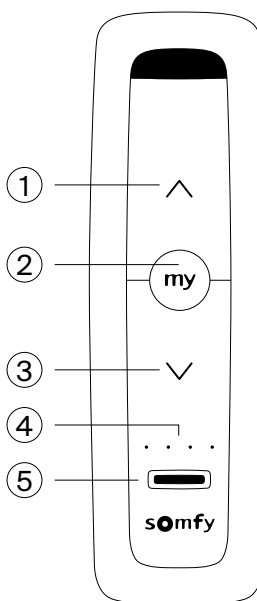
SOMFY SITUO 1	
Frequency	IO 868 MHz
Gutters	1
Power supply	CR2032 3V
Operating range	50 m (20 m interior)
Protection rating	IP30
Dimensions	139 x 42 x 16 mm

- ① Up/On/Open button
- ② STOP/my button
- ③ Down/Off/Close button
- ④ Button activation indicator light
- ⑥ PROG button
- ⑦ Specific autonomous mode selector



SOMFY SITUO 5	
Frequency	IO 868 MHz
Gutters	5
Power supply	CR2430 3V
Operating range	50 m (20 m interior)
Protection rating	IP30
Dimensions	139 x 42 x 16 mm

- ① Up/On/Open button
- ② STOP/my button
- ③ Down/Off/Close button
- ④ Button activation and group selection indicator light
- ⑤ Group selector
- ⑥ PROG button
- ⑦ Specific autonomous mode selector

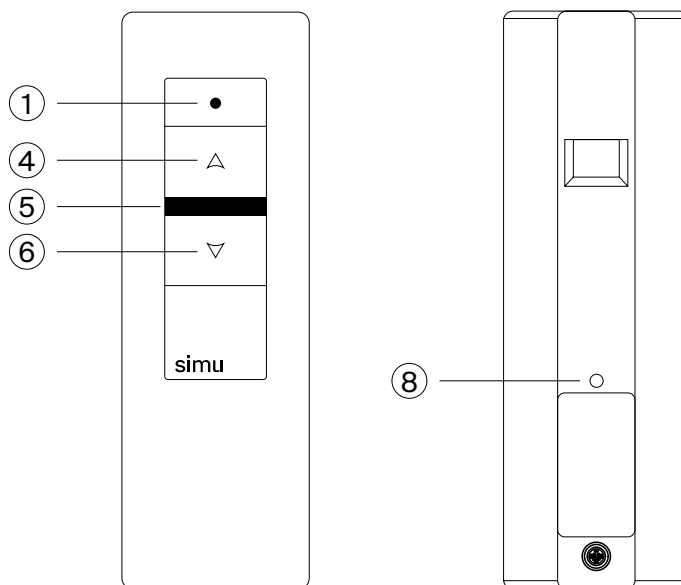


* Somfy transmitters are exclusively compatible with Somfy motors, and Simu transmitters exclusively with Simu motors.

SIMU MOBILE 1C

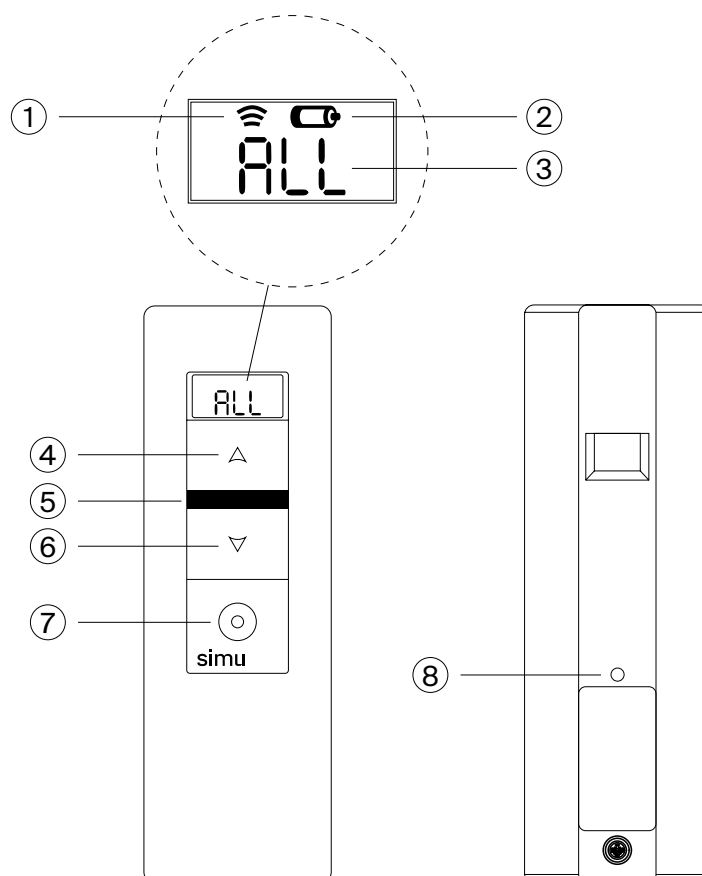
Frequency	433,42 MHz
Gutters	1
Power supply	CR2430 3V
Operating range	50 m (20 m interior)
Protection rating	IP30
Dimensions	125 x 40 x 15 mm

- ① Transmission indicator
- ④ UP control button
- ⑤ STOP / P.I. control button
- ⑥ DOWN control button
- ⑧ Programming button "PROG"

**SIMU MOBILE 5C**

Frequency	433,42 MHz
Gutters	5
Power supply	CR2430 3V
Operating range	50 m (20 m interior)
Protection rating	IP30
Dimensions	125 x 40 x 15 mm
Screen	Yes

- ① Transmission indicator
- ② Low battery indicator
- ③ Selected channel: 1, 2, 3, 4, 5 or All
- ④ UP control button
- ⑤ STOP / P.I. control button
- ⑥ DOWN control button
- ⑦ Selection button
- ⑧ Programming button "PROG"



OPTIONS AND ACCESSORIES

- Optional electric motor
- Remote control
- Climate sensors
- Adjustable valance
- Lighting
- Electric heaters
- Audio
- Fabric protection profile
- Lighting valance



We believe in the *elegance* of engineering.